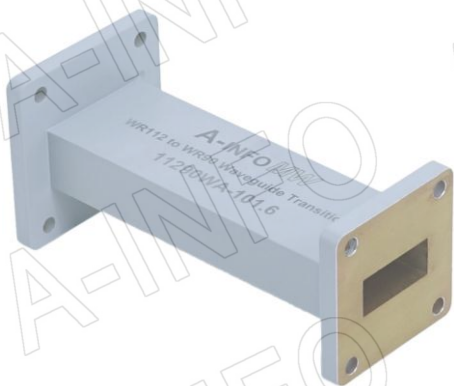


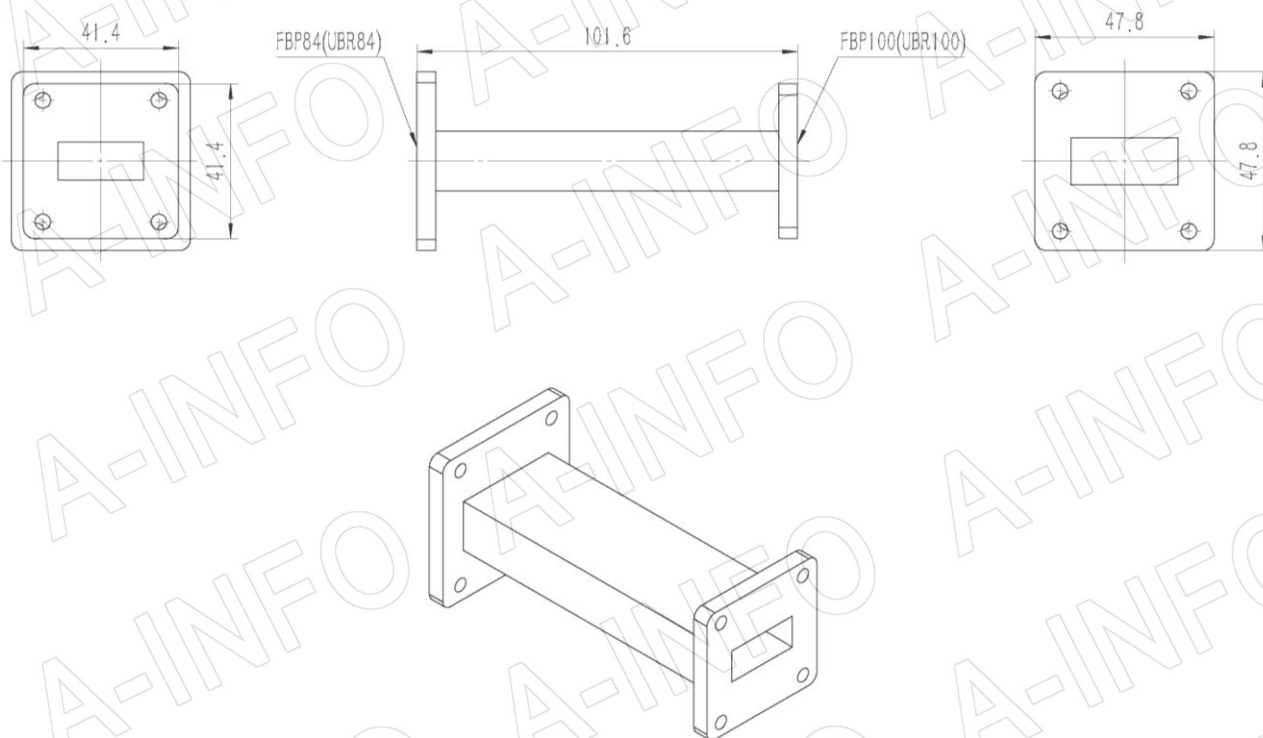
For reference only. See data sheet for the detailed specifications.

## Technical Specification

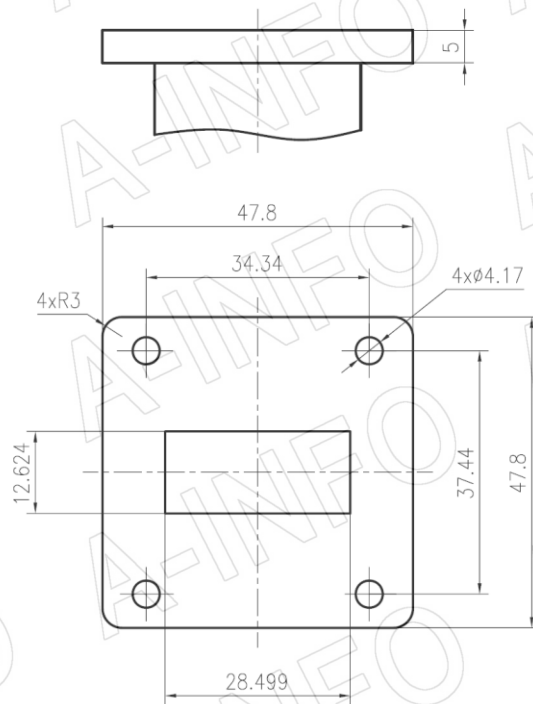


EIA WR to WR	WR112 to WR90
Frequency Range(GHz)	8.2 – 10.0
Length(mm/inch)	101.6/4
Insertion Loss(dB)	0.1 Max.
VSWR	1.05:1 Max.
WR112 Flange	FBP84(UBR84)
WR90 Flange	FBP100(UBR100)
Material	Al
Size(mm)	101.6 x 47.8 x 47.8
Net Weight(Kg)	0.10 Around

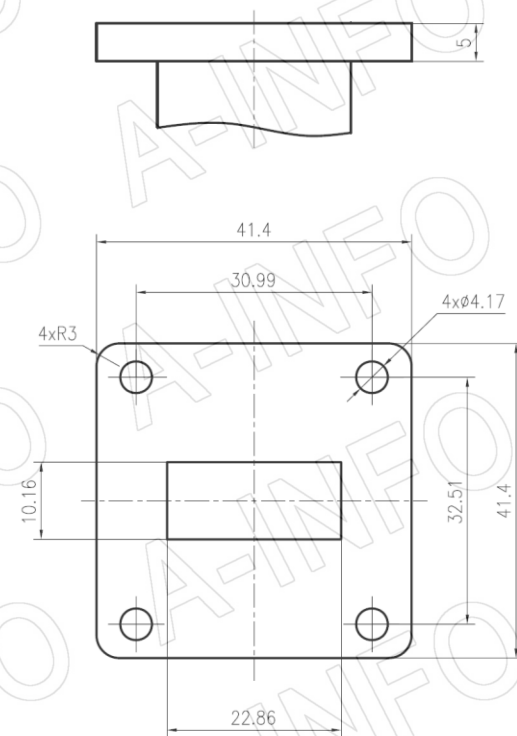
## Outline Drawing (Size: mm)



## Flange Outline Drawing (Size: mm)



**FBP84**



**FBP100**

**AINFO Inc.**

China(Beijing): Tel: (+86) 10-6266-7326,  
 China(Chengdu): Tel: (+86) 28-8519-2786,  
 USA : Tel: (+1) 949-639-9688,

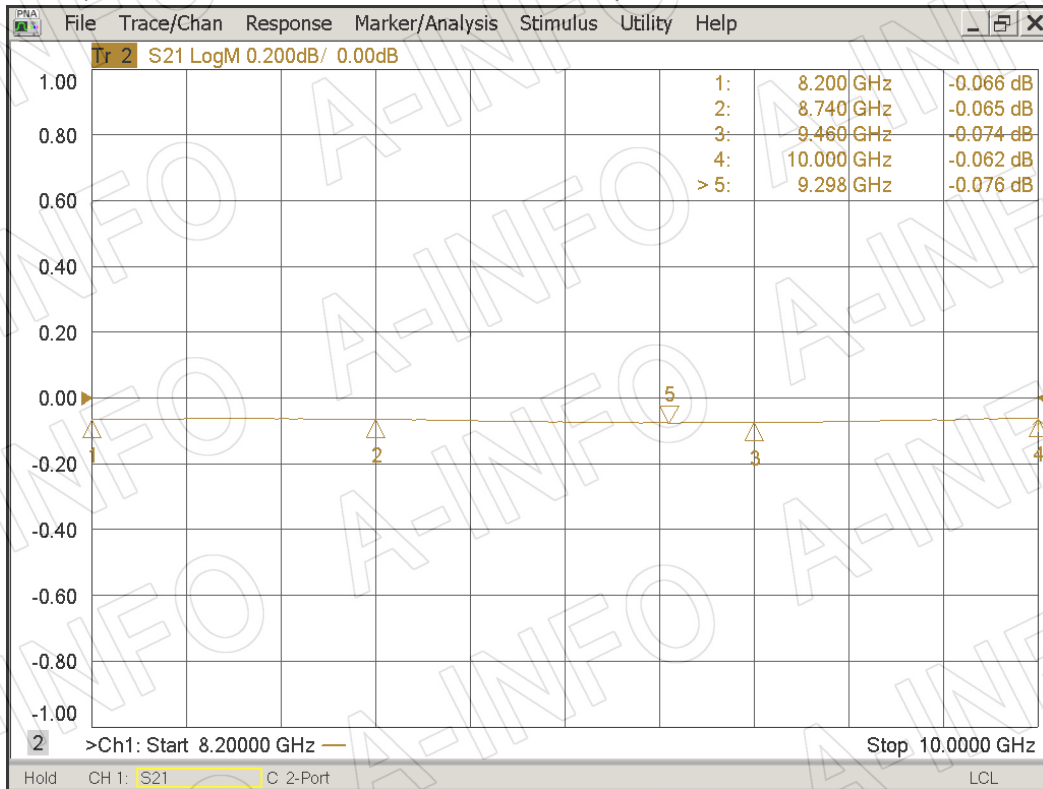
Page 2 of 3

(+86) 10-6266-7327 Fax: (+86) 10-6266-7379  
 (+86) 28-8519-3044 Fax: (+86) 28-8519-3068  
 (+1) 949-639-9608 Fax: (+1) 949-639-9670

Website: [www.ainfoinc.com](http://www.ainfoinc.com)  
 Email: [sales@ainfoinc.com](mailto:sales@ainfoinc.com)

## Test Results

Insertion Loss (Test with two transitions back to back)



## VSWR

